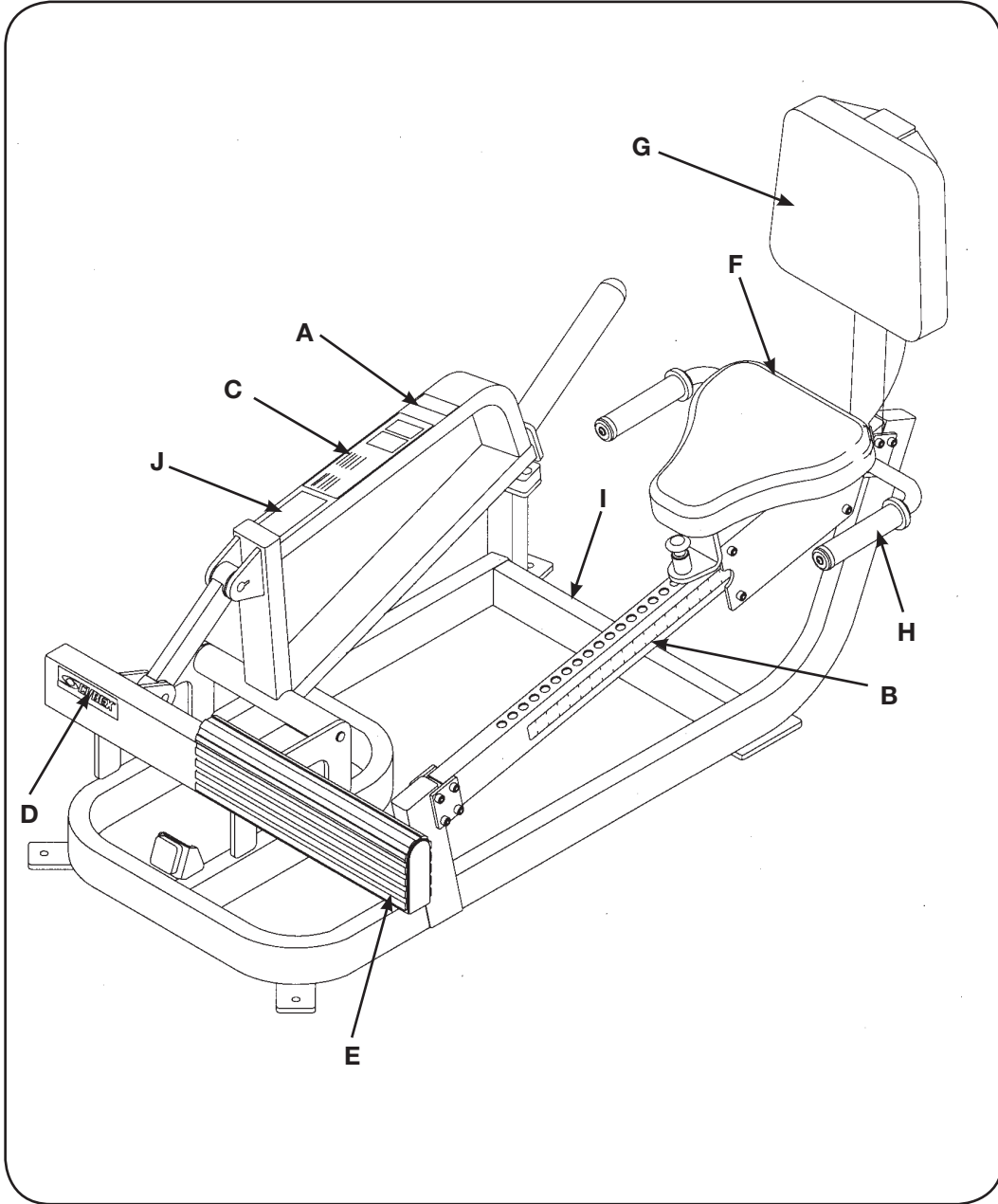


# ROTARY CALF

PRODUCT NO. 5245



DESCRIPTION	PART NO.	DESCRIPTION	PART NO.
A. Caution Decal .....	4000Y316	E. Non-Slip Fabric .....	4620-322
B. Adjustable Seat Decal .....	4620-331	F. Seat Cushion .....	4800-025
C. Placard Decal .....	5245-318	G. Back Cushion .....	5245-011
D. Cybex Decal <b>Black</b> .....	3900-443	H. Grip .....	4605-508
D. Cybex Decal Silver .....	3900-444	I. Serial Number Decal	
		J. Warning Decal .....	5220-365

5245 - Rotary Calf

ITEM	QTY	PART NO.	DESCRIPTION
1	1	11040-440	Cybox Knob
2	1	4000Y316	Caution Decal
3	1	4605-322	Detent Pin
4	2	4605-334	Pivot Shaft 13.06
5			Removed 7-03
6	1	4620-202	Seat
7	4	4620-317	Plate
8	4	4620-318	Roller
9	4	4620-319	Spacer
10	1	4620-321	Adjusting Tube
11	1	4620-322	Non-Slip Fabric
12	1	4620-331	Seat Adjustment Decal
13	1	5220-305	Bumper 2.00 x 4.00
14	1	5220-367	Spacer
15	1	5245-200	Frame
16	1	5245-201	Input Arm
17	1	5245-202	Input Arm
18	1	5245-203	Tie Bar
19	2	5245-317	Pivot Shaft 2.563
20	1	5245-318	Placard Decal
21	1	5330M040	Plug
22	1	5490P005	Weight Tube 12.00
23	6	BR030210	Retaining Ring 17 mm
24	1	BS070201	Com Spring .56 x .66 x 1.50 L
25	8	FB030232	Radial Bearing 17 mm ID
26	2	HC702815	SHCS .375-16 x .75
27	8	HC702830	SHCS .375-16 x 2.50
28	12	HN704901	Nylon Locknut .375-16
29	2	HP266717	Spiral Pin .125 x 1.00
30	4	JC702836	SHCS .375-16 x 3.25
31	3	PP090202	Plastic Insert 1.50 x 3.00 x 11 GA
32	1	PP090206	Plastic Insert
33	1	PP090214	Plastic Insert
34	2	4605-508	Grip 1.38 OD x .94 x 5.50 L
35	1	PU060204	Bumper
36			Removed 7-03
36	1	3900-443	Cybox Decal 1.57 Horiz. Black
36	1	3900-444	Cybox Decal 1.57 Horiz. Silver
37	1	4800-025	Seat Cushion
38	1	5245-011	Back Cushion
39	2	HC702817	SHCS .375-16 x 1.00
40	2	JC702832	SHCS .375-16 x 2.75
41	2	HF449063	Tube Insert
42	2	PP080207	Plastic Insert .437 x 11 GA
43	1	5220-365	Warning Decal
44	2	11090-374	End Cap
45	2	11090-376	Handle Grip Ring
46	4	51198	Strength Warranty Sheet (not shown)
47	2	JC620422	BHSCS .250-20 x 1.50
48	4	JS347400	Internal Tooth Lockwasher

5245 - Rotary Calf

